



LED Heliport Surface Flood Light

AH-HP-F1



LED Surface Heliport Flood Light is used for illuminate the whole heliport area at night. It is specially designed for helipads, providing glare-free, uniform surface lighting for landing and loading activities. LED Surface Floodlights improve pilot depth perception by reflecting the surface of the helipad, allowing pilots to better estimate their altitude during landing.

Compliance

- ICAO Annex 14 Volume II Heliports 5.3.9
- FAA AC 150/5390-2B Heliport Design Guide



Features

Electrical

- High intensity, energy efficient LED, glare-free floodlight
- Period of LED Life $\geq 100,000$ hours
- Power supply available in AC(110-240VAC), DC48V, DC12V, etc
- Ultra-efficient LED reduce power consumption

Physical

- The enclosure is made out of stainless steel powder coated in electrostatic field, ensure it have good weather resistance
- The assembly has a low profile of less than 25cm and mounts to frangible point
- Specially custom lens optic designed specifically for helipad operation
- The angle of tilt of the luminaire is easily adjusted to maximise heliport illumination

Optional

- Infrared LED for pilot using NVG(Night Vision Goggles)
- Controller for power supplying and turn ON/OFF light
- VHF pilot to ground remote control
- Marine treated

Application

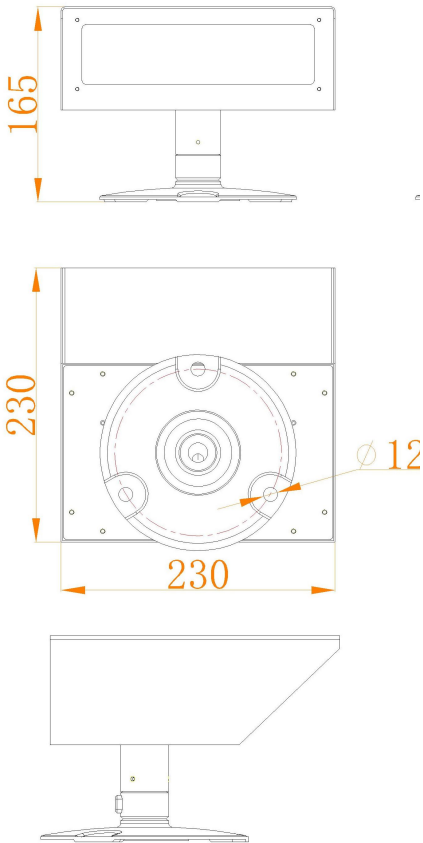
- Helipad/Heliport /Helideck



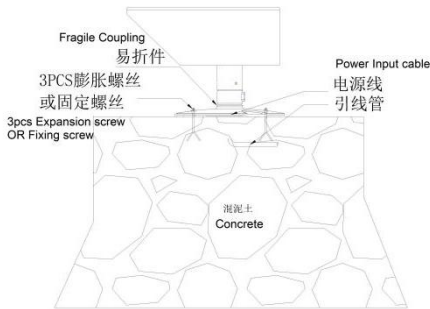
APPLICATION



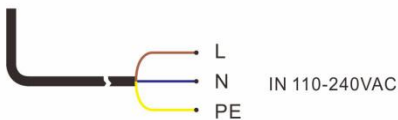
Dimension(mm)



Installation Diagram



Wiring



LED Heliport Surface Flood Light

AH-HP-F1

SPECIFICATIONS

AH-HP-F1 LED Heliport Surface Flood Light

Light Characteristics

Light Source	CREE Ultra high intensity LED
Emitting Color	White
Luminous efficiency:	120lm/W
Flash Characteristics	Steady burning
Operation Mode	24hours operation
LED Life Experience(hours)	>100,000

Electrical Characteristics

Operating Voltage	110-240VAC, 48VDC, 24VDC or others
Power(W)	10

Physical Characteristics

Enclosure Material	Powder Coated Stainless Steel
Overall size(mm)	230×230×165
Installation size(mm)	140×140×12
Weight(kg)	2.4
Product Life Expectancy	Average 5 years

Environmental Factors

Ambient Temperature(°C)	-55~70
Humidity	0~100%
Wind Speed	80m/s
Waterproof	IP66

Compliance

ICAO	ICAO Annex 14 Volume II Heliports 5.39
------	--

Options Available

- Infrared LED compatible for NVG (Night Vision Goggles)
- Marine Treated
- VHF pilot to ground remote control

